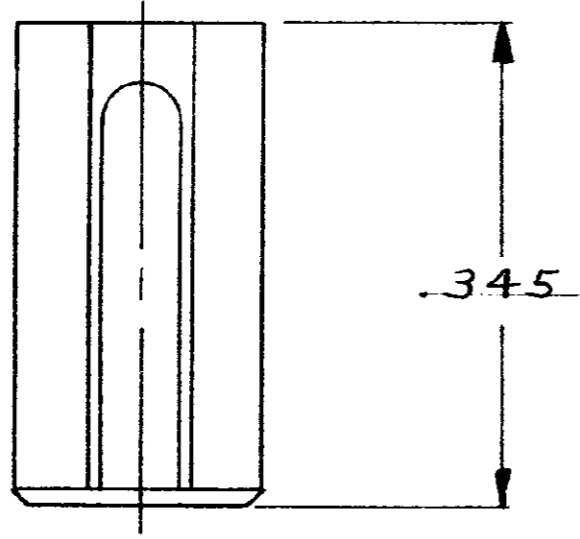
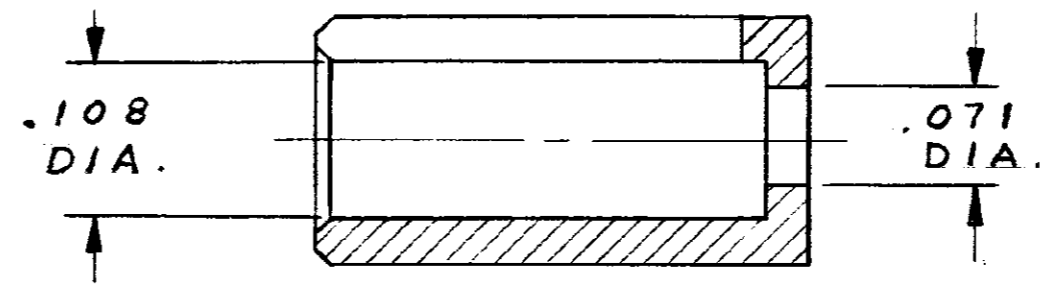
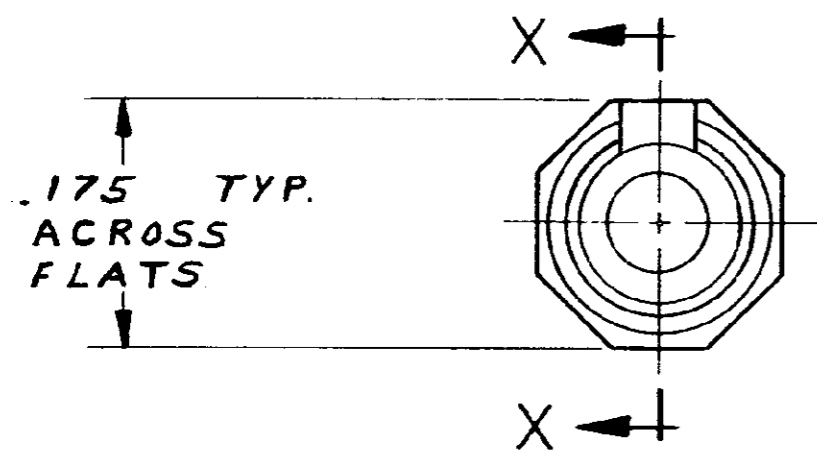


REVISIONS						
P	F	ZONE	LTR	DESCRIPTION	DATE	APPROVED
			P	REVISED PER ECO-11-005294	12APR11	HMR




531714-1 1, AS SHOWN



SECTION X-X

1. TO BE USED WITH PIN 531713-1

UNLESS OTHERWISE SPECIFIED DIMENSIONS ARE IN INCHES. TOLERANCES ON: DECIMALS ±.005 ANGLES ±		CONTRACT NO DR <i>M. Smith</i> 5-29-80 CHK <i>W. Hatcher</i> 7/29/80 APPD <i>W. Hatcher</i> 7/29/80 APPD <i>E. Parsons</i> 5/20/80	 TE Connectivity NAME COMBINATION GUIDE, KEYING INSERT	
MATERIAL STAINLESS STEEL	FINISH PASSIVATED	DSGN APPD	OTHER APPD	SIZE B CODE IDENT NO 00779 DRAWING NO 531714 SCALE 8-1 SHEET
			PART NO	

CUSTOMER DRAWING